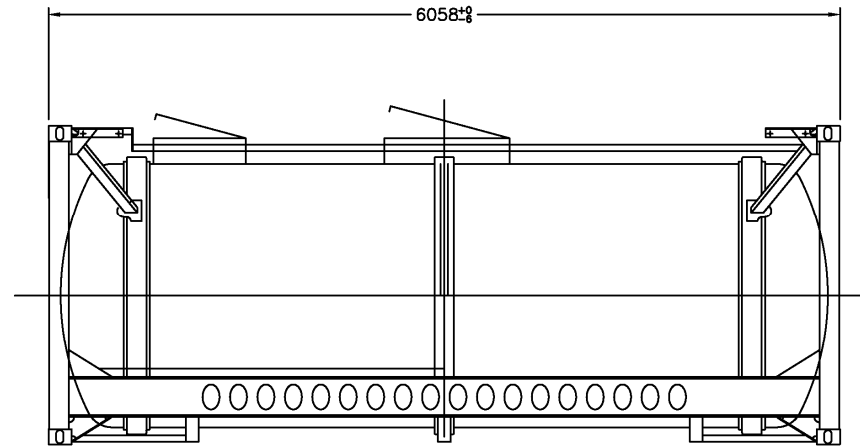
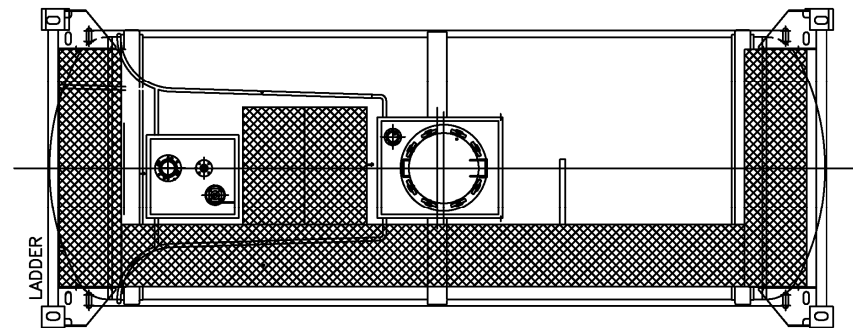


REAR END VIEW



SIDE VIEW



PLAN VIEW